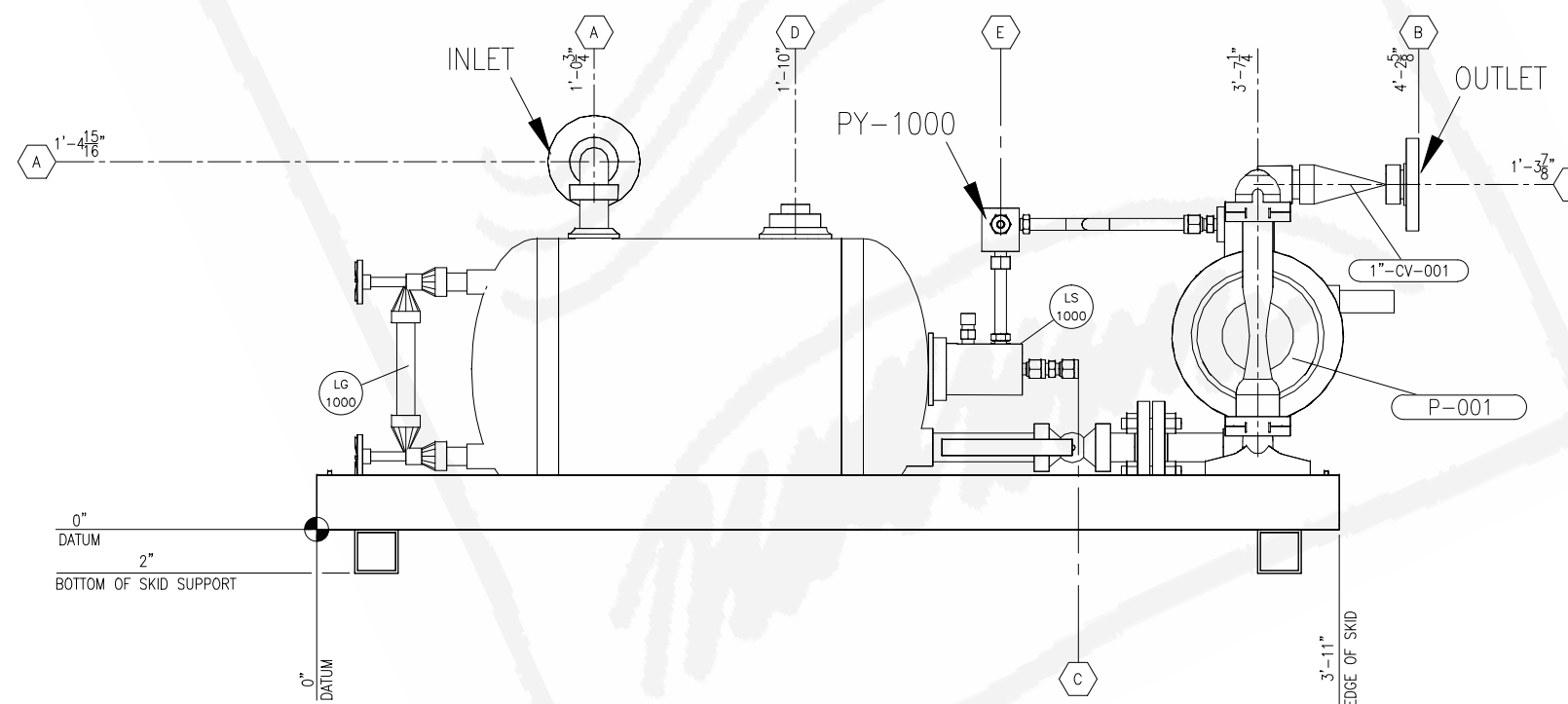
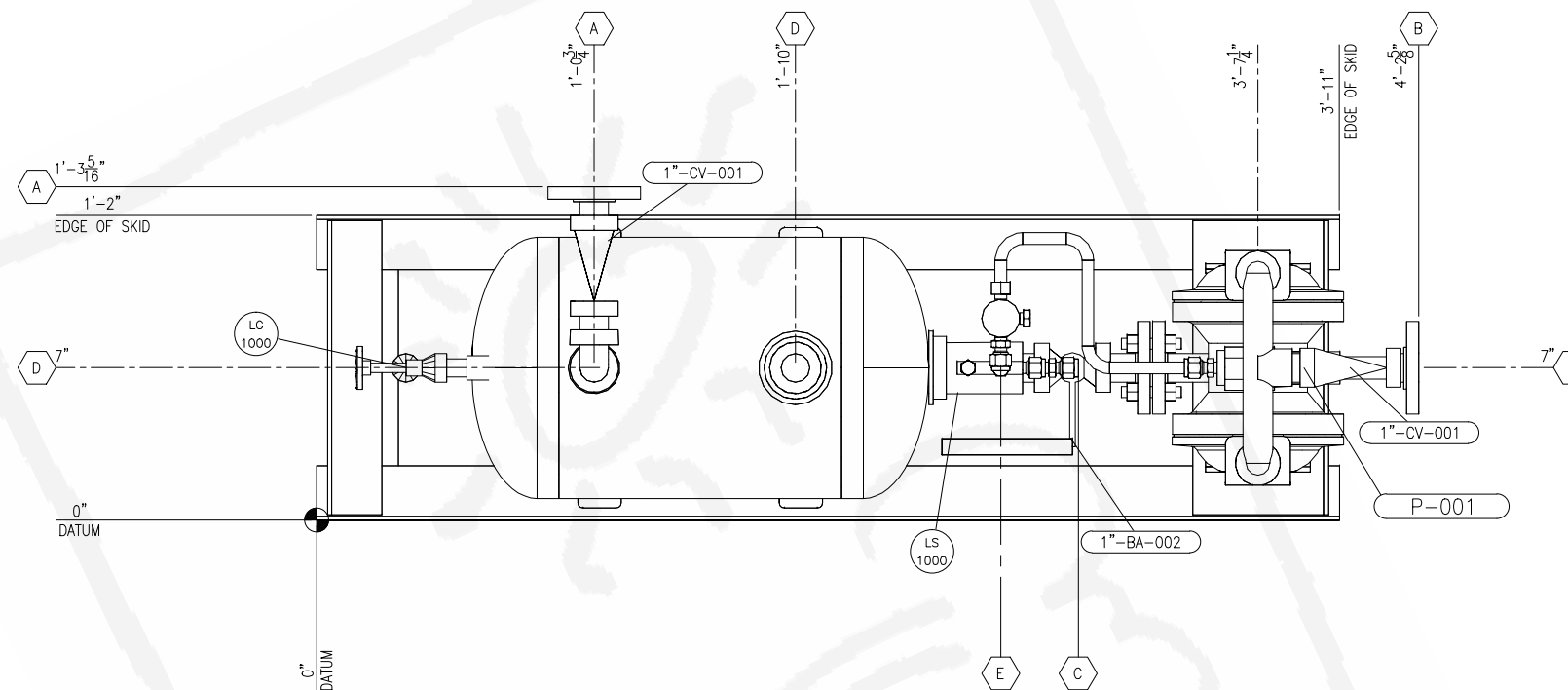


LEGEND				
MK	QTY	SIZE	RATING	SERVICE
A	1	1"	150# RF	TANK LIQUID SUPPLY
B	1	1"	150# RF	LIQUID OUTLET
C	1	1/2"	TUBING	INSTRUMENT GAS SUPPLY
D	1	1/2"	TUBING	VENT
E	1	1/2"	TUBING	DIAPHRAGM PUMP MOTIVE GAS

UNIT WEIGHT: TBD



B	REVISED CONNECTION DESCRIPTIONS	08/15/23	SWK	-
A	ISSUED FOR REVIEW	08/09/23	BT	SWK
REV.	DESCRIPTION	DATE	BY	CHK

THIS DRAWING AND ITS CONTENTS ARE THE PROPERTY OF JATCO, INC. AND SHALL NOT BE USED, REPRODUCED OR DISCLOSED EXCEPT IN ACCORDANCE WITH ITS WRITTEN PERMISSION.

JATCO, INC.
 ENVIRONMENTAL PROTECTION EQUIPMENT
 244 N.W. 111th St., Oklahoma City, OK 73114
 Tel: 405-755-4100 Fax: 405-755-4101

DATE	DRAWN	CHECKED	APPROVED
04/11/23	BT	SWK	

CLIENT

TITLE
 J5000 DP1
 SM-P TANK W/PUMP - FULL PNEUMATIC

SCALE:	1 1/2" = 1'-0"	S.O.#	-
DRAWING NUMBER	23205	SHEETS	1 OF 1
REV		REV	B