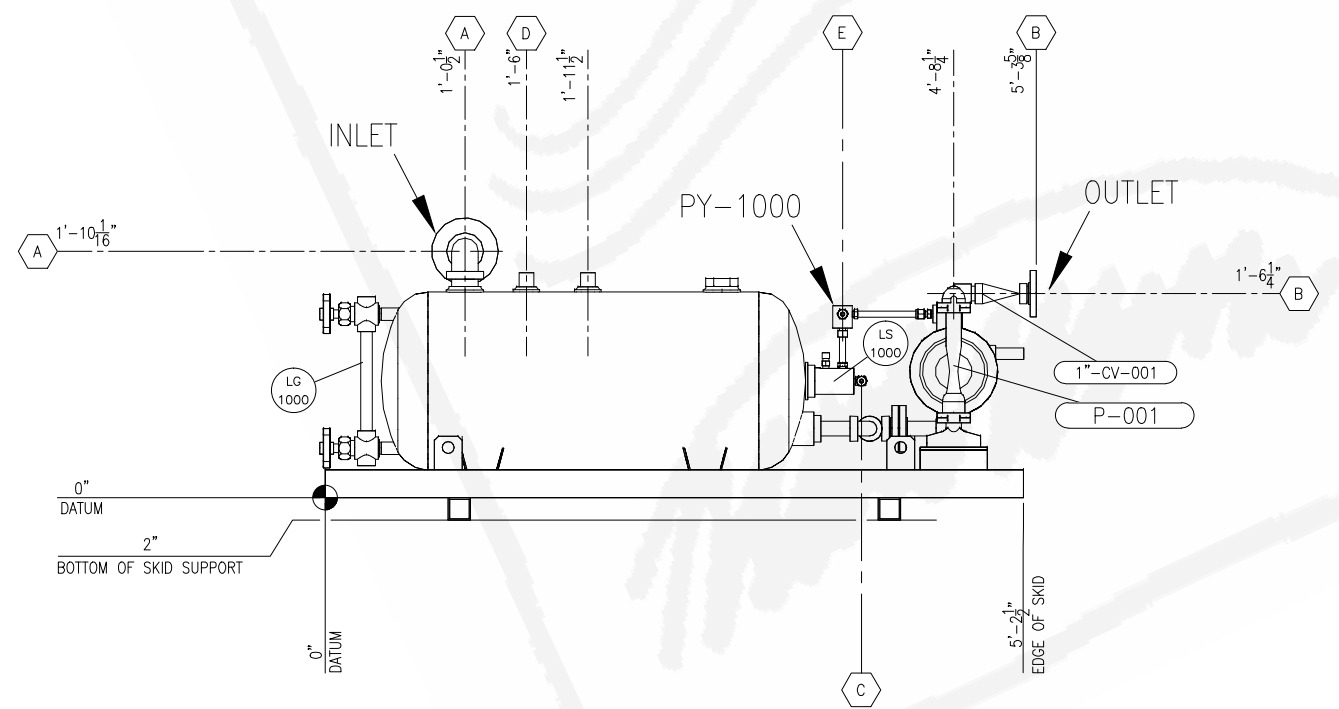
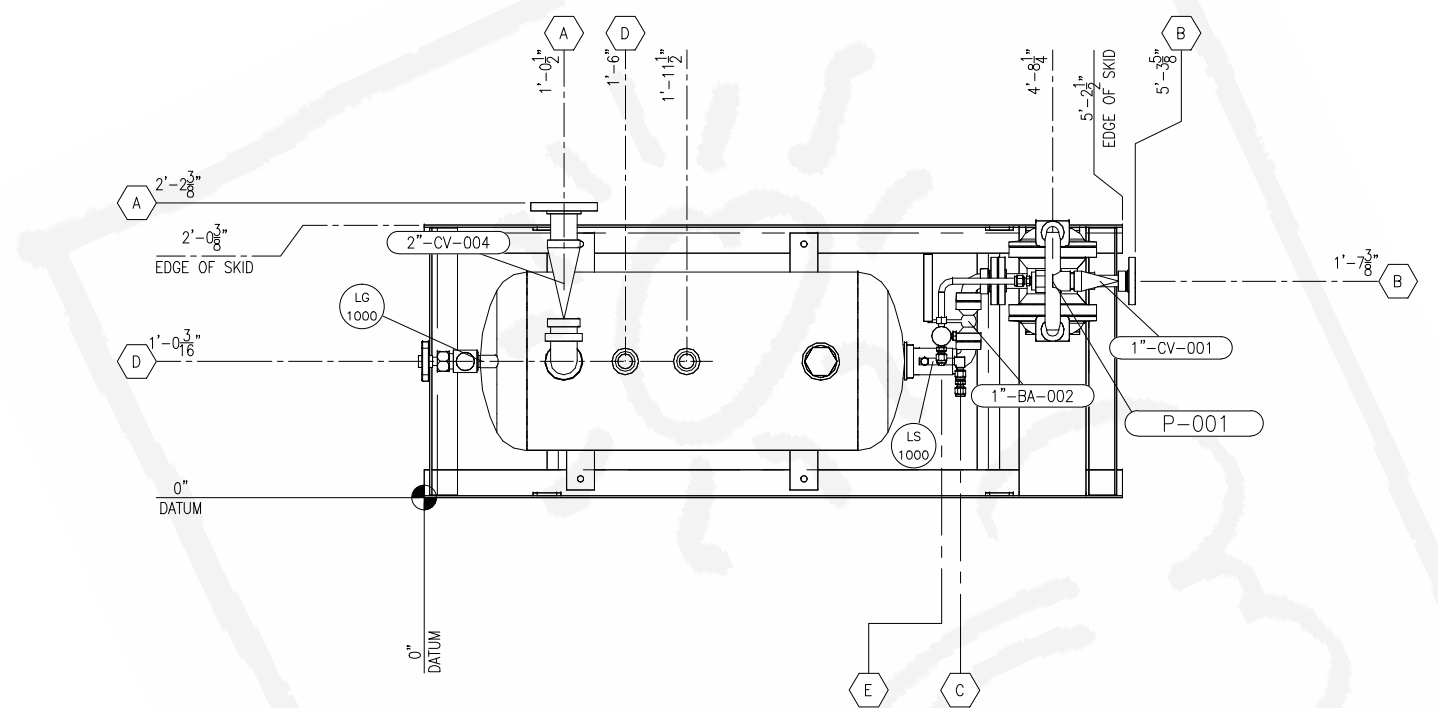



LEGEND				
MK	QTY	SIZE	RATING	SERVICE
A	1	2"	150# RF	TANK LIQUID SUPPLY
B	1	1"	150# RF	LIQUID OUTLET
C	1	1/2"	TUBING	INSTRUMENT GAS SUPPLY
D	1	1/2"	TUBING	VENT
E	1	1/2"	TUBING	DIAPHRAGM PUMP MOTIVE GAS

UNIT WEIGHT: TBD



<small>THIS DRAWING AND ITS CONTENTS ARE THE PROPERTY OF JATCO, INC. AND SHALL NOT BE USED, REPRODUCED OR DISCLOSED EXCEPT IN ACCORDANCE WITH ITS WRITTEN PERMISSION.</small>			
 JATCO, INC. ENVIRONMENTAL PROTECTION EQUIPMENT <small>244 N.W. 111th St., Oklahoma City, OK 73114 Tel: 405-755-4100 Fax: 405-755-4101</small>			
DATE	DRAWN	CHECKED	APPROVED
04/11/23	BT	SWK	
CLIENT			
TITLE			
J7000 DP1 SM-P TANK W/PUMP - FULL PNEUMATIC			
SCALE: 1 1/2" = 1'-0"		S.O.# -	
DRAWING NUMBER	SHEETS	REV	
23200	SHT# 1 OF 1	B	